

# CA-2 Input Selector

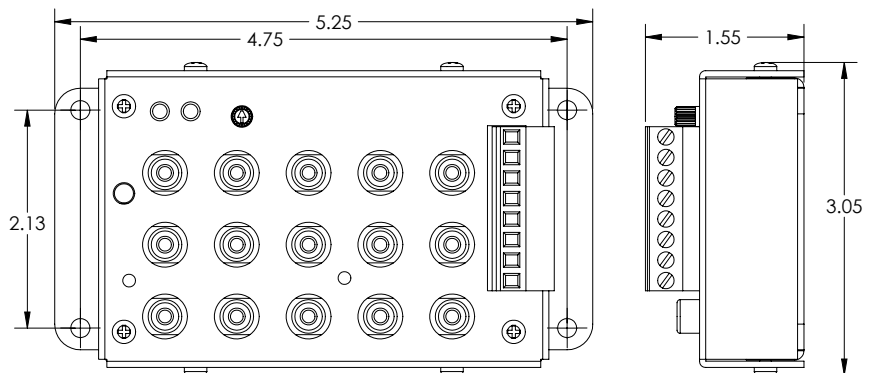
The CA-2 Input Selector provides professional component video switching using RCA connections.

The unit features a 450MHz bandwidth to provide the absolute best quality picture even at the highest video resolutions. Stereo audio switching that can also be used for digital audio switching.

The CA-2 can operate in both manual selection mode or automatic signal detection mode.

In manual mode the CA-2 can be switched by a dc voltage or infrared remote command. When the CA-2 is outputting the B input a dc voltage is output on the terminal block.

In automatic mode the CA-2 will detect and switch on the detection of a signal on the B input. When the signal is no longer detected the CA-2 will switch back to the A input.



The CA-2 will teach learning infrared remote systems their control commands through the teaching IR output. You will never lose the teaching remote.

## Specifications:

Power: 12vdc 250mA wall transformer supplied  
Bandwidth: 450MHz (-3dB)  
Audio Bandwidth: 1MHz (analog and digital capable)  
Weight: 1lbs.

Warranty: 10 year limited

(c) copyright 2008 Avocation Systems, Inc.  
All specifications subject to change without notice



10956 Ammons St.  
Westminster, CO 80021  
Ph: 303-410-6639 • 1-877-805-6639  
www.avocationsystems.com